

LANKA FASTENER LIMITED

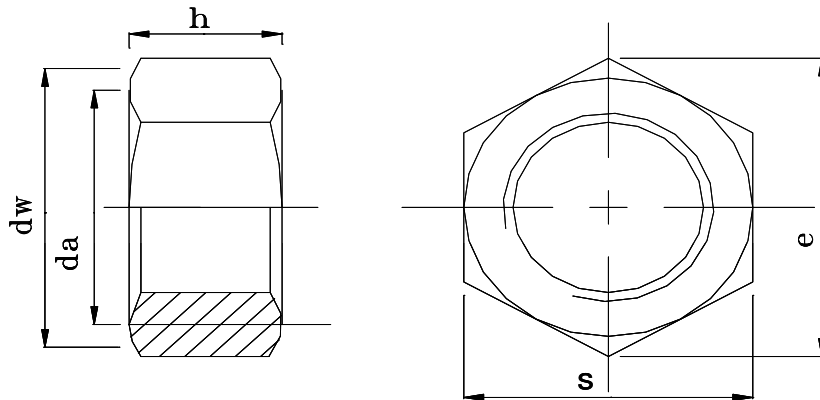
PHASE 2, I.P.Z., KATUNAYAKE 11420, SRI LANKA.

Tel : + 94 (0)11 2252750 Fax : + 94 (0)11 2252749

PRODUCT SPECIFICATION : **ISO 4032**
PRODUCT RANGE : M3, M4, M5, M6, M8, M10, M12, M14 & M16 in Steel
M3, M4, M5, M6, M8 & M16 in Stainless Steel
Fine thread from M8 upwards

METERIAL	CARBON STEEL	STAINLESS - A2	STAINLESS - A4
Material Specification	SAE 1010 / 1015	304	316
Product Class	8	70	80
Proof Stress	800	700	800
Hardness - HRC (min.)	18	22	22
Thread (ISO)	6G / 6H	6H	6H
Finish	Yellow / Blue Zinc & Plain *	Passivated	Passivated
Proof load KN	As specified in ISO 898/2 & ISO 898 / 6		

* - Blue Zinc Plating Free of Cr 6+



Type of Measurements	M3	M4	M5	M6	M8	M10	M12	M14	M16	M20
S	5.50	7.00	8.00	10.00	13.00	16.00	18.00	21.00	24.00	30.00
	5.32	6.78	7.78	9.78	12.73	15.73	17.73	20.67	23.67	29.16
h	2.40	3.20	4.70	5.20	6.80	8.40	10.80	12.80	14.80	18.00
	2.15	2.90	4.40	4.90	6.44	8.04	10.37	12.10	14.10	16.90
e	6.34	8.07	9.28	11.54	15.00	18.40	20.03	23.35	27.69	34.62
	6.01	7.66	8.79	11.05	14.38	17.70	20.70	24.23	26.75	32.95
da	3.45	4.60	5.75	6.75	8.75	10.80	13.00	15.10	17.30	21.60
	3.00	4.00	5.00	6.00	8.00	10.00	12.60	14.00	16.00	20.00
dw	5.50	7.00	8.00	10.00	13.00	16.00	18.00	21.00	24.00	30.00
	4.60	5.90	6.80	8.90	11.60	14.60	16.60	19.60	22.50	27.70
Unit Weight			1.35	2.37	5.15	9.30	13.78	24.47	34.43	

(All linear dimensions in mm)
(Unit Weight - Kg per 1000 pcs.)



Manufacturer of Steel & Stainless Steel Nuts

