

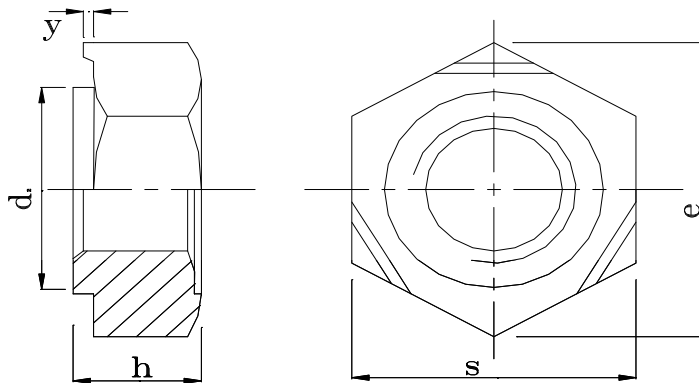
LANKA FASTENER LIMITED

PHASE 2, I.P.Z., KATUNAYAKE 11420, SRI LANKA.

Tel : + 94 (0)11 2252750 Fax : + 94 (0)11 2252749

PRODUCT SPECIFICATION : DIN 929
 PRODUCT RANGE : M3, M4, M5, M6, M8, M10 & M12 in Steel

METERIAL	CARBON STEEL	STENLESS - A2	STENLESS - A4
Material Specification	1010 - 1015		
Product Class	8		
Proof Stress	800		
Hardness (HRC)	20 -30		
Thread (ISO)	6H		
Finish	Plain		
Proof load KN	As specified in ISO 898/2 & ISO 898 / 6		



Type of Measurements	M3	M4	M5	M6	M8	M10	M12
S	7.50	9.00	10.00	11.00	14.00	17.00	19.00
	7.28	8.78	9.78	10.73	13.73	16.73	18.67
h	3.00	3.50	4.00	5.00	6.50	8.00	10.00
	2.75	3.20	3.70	4.70	6.14	7.64	8.64
e	8.31	9.99	11.11	12.32	15.68	19.04	21.28
	8.15	9.83	10.35	12.02	15.38	18.74	20.91
d ₂	4.53	5.97	6.97	7.97	10.46	12.46	14.75
	4.42	5.89	5.99	9.89	10.37	12.37	14.64
y	0.25	0.35	0.40	0.40	0.50	0.65	0.80
	0.15	0.25	0.30	0.30	0.35	0.50	0.60
Unit Weight	0.71	1.27	1.66	2.50	5.28	9.39	14.11

(All linear dimensions in mm)



Manufacturer of Steel & Stainless Steel Nuts

