

# LANKA FASTENER LIMITED

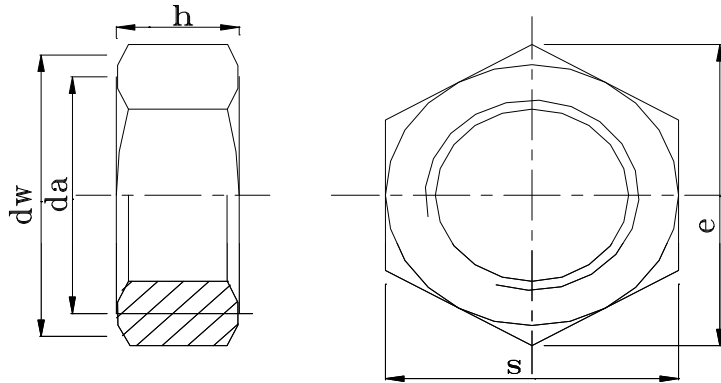
PHASE 2, I.P.Z., KATUNAYAKE 11420, SRI LANKA.

Tel : + 94 (0)11 2252750 Fax : + 94 (0)11 2252749

**PRODUCT SPECIFICATION** : **DIN 934**  
**PRODUCT RANGE** : M3, M4, M5, M6, M8, M10, M12, M14, M16 & M20 in Steel  
M3, M4, M5, M6, M8, M10, M12, M14 & M16 in Stainless Steel  
**Fine thread from M8 upwards**

MATERIAL	CARBON STEEL	STAINLESS - A2	STAINLESS - A4
Material Specification	SAE 1010 / 1015	304	316
Product Class	8	70	80
Proof Stress	800	700	800
Hardness - HRC (min.)	18	22	22
Thread (ISO)	6G / 6H	6H	6H
Finish	Yellow / Blue Zinc & Plain*	Passivated	Passivated
Proof load KN	As specified in ISO 898/2 & ISO 898 / 6		

\* - Blue Zinc Plating Free of Cr 6+



Type of Measurements	M3	M4	M5	M6	M8	M10	M12	M14	M16	M20
S	5.50	7.00	8.00	10.00	13.00	17.00	19.00	22.00	24.00	30.00
	5.32	6.78	7.78	9.78	12.73	16.73	18.67	21.67	23.67	29.16
h	2.40	3.20	4.00	5.00	6.50	8.00	10.00	11.00	13.00	16.00
	2.15	2.90	3.70	4.70	6.14	7.64	9.64	10.30	12.30	14.90
e	6.34	8.07	9.23	11.54	15.00	19.61	21.92	25.38	27.69	34.62
	6.01	7.66	8.79	11.05	14.38	18.90	21.10	24.49	26.75	32.95
da	3.45	4.60	5.75	6.75	8.75	10.80	13.00	15.10	17.30	21.60
	3.00	4.00	5.00	6.00	8.00	10.00	12.00	14.00	16.00	20.00
dw	5.50	7.00	8.00	10.00	13.00	17.00	19.00	22.00	24.00	30.00
	4.60	5.90	6.90	8.90	11.60	15.60	17.40	20.50	22.50	27.70
Unit Weight	0.32	0.72	1.11	2.15	4.70	10.53	15.16	21.97	29.81	54.80

(All linear dimensions in mm)

(Unit Weight - Kg per 1000 pcs.)



Manufacturer of Steel & Stainless Steel Nuts

