

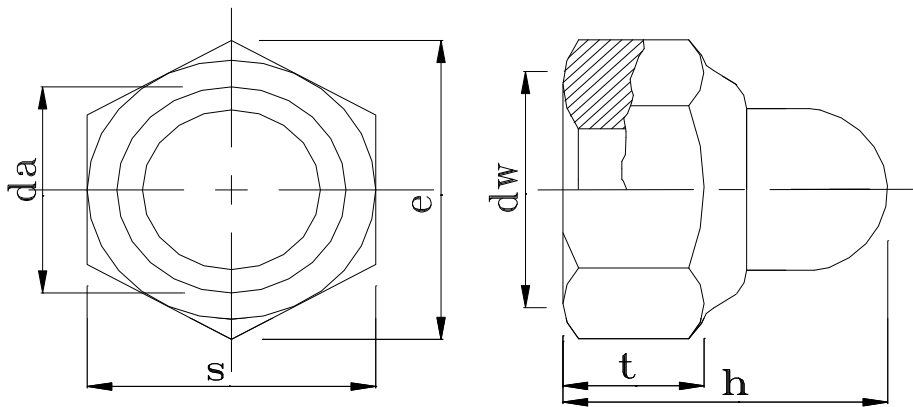
LANKA FASTENER LIMITED

PHASE 2, I.P.Z., KATUNAYAKE 11420, SRI LANKA.

Tel : + 94 (0)11 2252750 Fax : + 94 (0)11 2252749

PRODUCT SPECIFICATION : DIN 986
 PRODUCT RANGE : M5, M6 & M8 in Steel
 M5, M6 & M8 Stenless Steel

METERIAL	CARBON STEEL	STENLESS - A2	STENLESS - A4
Material Specification	1010	304	316
Product Class	8	70	80
Proof Stress	800	700	800
Hardness (HRC)	18 - 25	22 - 34	22 - 34
Thread (ISO)	6H	6H	6H
Finish	Yellow / Blue Zinc	Passivated	Passivated
Proof load KN	As specified in ISO 898/2 & ISO 898 / 6		



Type of Measurements	M5	M6	M8
S	8.00	10.00	13.00
	7.78	9.78	12.73
h	10.85	12.35	14.35
	10.15	11.65	13.65
e	9.23	11.54	15.00
	8.79	11.05	14.38
t	4.60	5.10	6.70
	4.40	4.90	6.50
da	5.75	6.75	8.75
	5.00	6.00	8.00
dw	8.00	10.00	13.00
	6.90	8.90	11.60
Unit Weight	1.62	2.96	5.90

(All linear dimensions in mm)



Manufacturer of Steel & Stainless Steel Nuts

